

# Electric Series

**ELECTRIC ARTICULATING  
BOOMLIFTS**

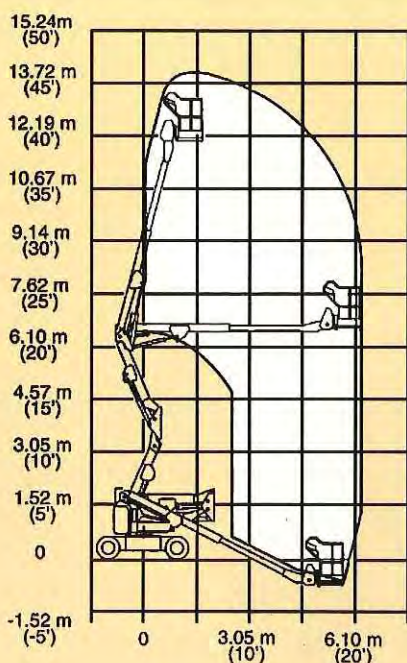


**30 electric  
35 electric  
n35 electric  
40 electric  
n40 electric  
45 electric**



**JLG**

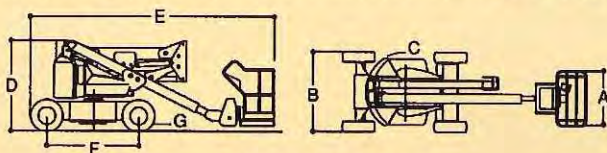
# 40 & n40 electric



**REACH DIAGRAM**

## REACH SPECIFICATIONS

Platform Height	12.19 m (40 ft.)
Horizontal Outreach	6.25 m (20 ft. 6 in.)
Up and Over Clearance	6.1 m (20 ft.)
Turntable Rotation	360° (non continuous)
Platform Capacity	227 kg (500 lbs.)
Platform Rotator	110° Hydraulic



## DIMENSIONAL DATA

A. Platform Size	0.66 m x 1.22 m (26 in. x 48 in.)
B. Overall Width Model 40	1.75 m (5 ft. 9 in.)
Overall Width Model n40	1.5 m (4 ft. 11 in.)
C. Tailswing (working condition) Model 40	Zero
Tailswing (working condition) Model n40	0.13 m (5 in.)
D. Stowed Height	2.0 m (6 ft. 7 in.)
E. Stowed Length Model 40	5.36 m (17 ft. 7 in.)
Stowed Length Model n40	5.28 m (17 ft. 4 in.)
F. Wheelbase	2.0 m (6 ft. 7 in.)
G. Ground Clearance Model 40	0.15 m (6 in.)
Ground Clearance Model n40	0.10 m (4 in.)
Gross Vehicle Weight Model 40*	5,100 kg (11,235 lbs.)
Gross Vehicle Weight Model n40*	5,366 kg (11,830 lbs.)

## CHASSIS

Drive Speed Model 40	4.8 kph (3.0 mph)
Drive Speed Model n40	4.0 kph (2.5 mph)
Gradeability	25%
Tyres Model 40	foam filled G78 - 15
Tyres Model n40	solid rubber 22 x 6 x 16
Axle Oscillation	0.03 m (1 in.)
Turning Radius (outside) Model 40	4.17 m (13 ft. 8 in.)
Turning Radius (inside) Model 40	1.31 m (4 ft. 3 in.)
Turning Radius (outside) Model n40	3.61 m (11 ft. 10 in.)
Turning Radius (inside) Model n40	1.60 m (5 ft. 3 in.)

## POWER SYSTEM

Electrical System	48V DC
Batteries	eight 6V 370 amp-hr
Drive Motors	two series wound fan cooled electric traction motors
Brakes	spring applied electrically released multiple discs
Hydraulic Motor/Pump	perm. magnet motor/single sect. gear pump
Hydraulic Reservoir	15.1 L
Manual Lowering	lever actuated hand pump

\* Gross vehicle weights may vary dependent on regional requirements.

Specification may change to meet country standards or with the addition of optional equipment

# PERFORMANCE FEATURES



## Long Lasting Deep Cycle Batteries

Deep cycle batteries provide consistent high performance throughout regular charge and discharge cycles. Batteries are mounted in removable boxes with quick disconnect plugs. An on-board automatic battery charger is provided as standard.



## Oscillating Front Axle\* Is Standard

Provides 2.5 cm (1 in.) of wheel travel up and down for optimum ground contact and increased traction for negotiating uneven surfaces or ramps.

\*(except 30 electric)

## Efficient Direct Electric Drive

Electric Drive produces outstanding performance combined with longer operation cycles between charging periods. Dual traction motors drive wheels directly through planetary reduction hubs for efficient use of battery power.



## Fully Proportional Drive And Variable Boom Speeds

Proportional drive control, with "ramp" on/off, provides smooth acceleration and deceleration. A separate control allows the operator to adjust the speed of the lift, tele, and swing functions to the desired comfort level.



## Standard Features Include:

Direct Electric Drive • Full Proportional Drive Control • Variable Speed Control For Lift, Tele and Swing • Eight 6V Deep Cycle Industrial Batteries • On-Board Battery Charger • Oscillating Axle<sup>1</sup> • 110° Powered Platform Rotator<sup>1</sup> • AC Wiring To Platform • Horn • Tilt Light & Alarm • Keyswitch At Ground Controls • Hour Meter • Battery Discharge Indicator • Boom Wiper Seal • Foam Filled Tyres • Manual Descent

## Available Options

0.66 m x 1.52 m (26 in. x 60 in.) Size Platform<sup>2</sup> • Worklights • Acrylic Console Shield • Air Line To Platform<sup>3</sup> • Non-Marking Solid Tyres • Wheel Covers • Extra Battery Boxes With Batteries And Cables • All Motion Alarm • Flashing Amber Beacon • Cylinder Bellows • Steel Hood Covers<sup>4</sup>

<sup>1</sup> Option not available on 30 electric

<sup>2</sup> Except 30 electric, n35 electric and n40 electric

<sup>3</sup> Includes external hose carrier

<sup>4</sup> 30 electric only

## The JLG

### "1 & 5" Warranty

JLG Industries, Inc. backs our products with our exclusive "1 & 5" Warranty.

We provide coverage on all products for one (1) full year, and cover all specified major structural components for five (5) full years.

This warranty represents our commitment to superior quality and manufacturing standards and underscores our pledge of being "The Provider of Choice Worldwide - for Access".

Due to continuous product improvements, we reserve the right to make specification and/or equipment changes without prior notification.

This machine meets or exceeds applicable OSHA Regulations in 29 CFR 1910.67, 1926.451 (f) 29 CFR 1926.556, and ANSI/SIA A92.5-1992, as originally manufactured for intended applications.

## JLG Industries (Europe)

### A Division of JLG Industries, Inc.

Kilmartin Place, Tannochside Park,

Uddingston, G71 5PH, Scotland

Tel: 01698 811005

Fax: 01698 811055

Internet: <http://www.jlg.com>

e-mail address: [europa@jlg.com](mailto:europa@jlg.com)

